

# Briggs & Stratton OPERATING AND MAINTENANCE INSTRUCTIONS

## MODELS

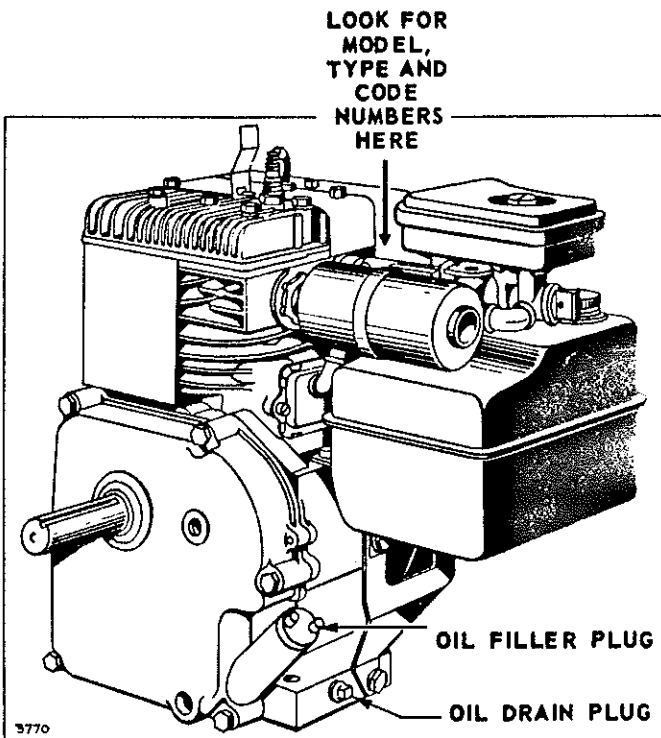
140200 to 140297  
141200 to 141297

**IMPORTANT:** Do not start this engine before reading Section I and Section II of this manual.

### CAUTION

PROVIDE EFFICIENT VENTILATION. Exhaust gases contain carbon monoxide, an odorless and deadly poison. Do not operate engine in an enclosed area.

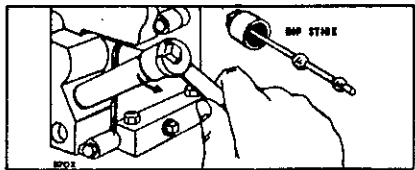
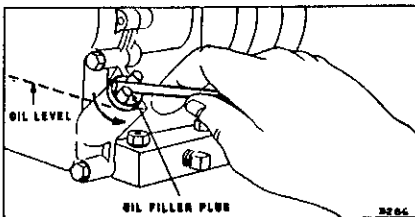
DO NOT FILL GASOLINE TANK WHILE ENGINE IS RUNNING. Avoid spilling gasoline on a hot engine — this may cause an explosion and serious injury.



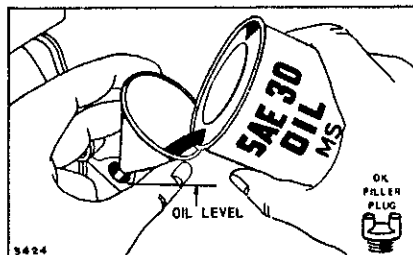
## SECTION I BEFORE STARTING

### FILL CRANKCASE WITH OIL

Remove the oil filler plug. Use a screw driver or bar. Some engines have oil filler cap. Use a wrench to remove.



Models equipped with dip sticks should be filled to "F" mark. (Capacity 2-3/4 U.S. pints). Replace filler plug.



Models equipped with nylon oil filler plugs should be filled to point of overflowing.

### LUBRICATION RECOMMENDATIONS

Any high quality detergent oil bearing the American Petroleum Institute Classification "For Service MS" can be used in your Briggs & Stratton engine. Detergent oils keep the engine cleaner and retard the formation of gum and varnish deposits.

Nothing should be added to the recommended oils.

**WINTER**  
(Below 40° F.)  
Use SAE 5W-20  
If not Available  
Use SAE 10W  
Above 10° F.

**SUMMER**  
(Above 40° F.)  
Use SAE 30  
If not Available  
Use SAE 10W-30

### FILL FUEL TANK

Use clean, fresh "regular" grade gasoline.

**CAUTION:** The use of old or stale gasoline will result in gum deposits clogging the fuel system and carburetor. Make sure that vent hole in the tank cap is open.

DO NOT MIX OIL WITH GASOLINE.

"OIL-FOAM" AIR CLEANER

"Oil-Foam" air cleaners are oiled at the factory and do not require initial service.



# IMPORTANT SAFETY INFORMATION AND INSTRUCTIONS FOR ENGINE SELECTION ENGINE INSTALLATION ENGINE OPERATION

In the USA and Canada,  
our 24 hour hotline is:

18002333723

Briggs & Stratton Corporation  
Milwaukee, Wisconsin 53201

[www.briggsandstratton.com](http://www.briggsandstratton.com)

Keep these instructions for future reference.




**Before installing and operating this engine read and observe all warnings, cautions and instructions on both sides of this sheet, on the engine, and in the operating & maintenance instructions.**

**NOTE:** This sheet of instructions and safety information is not meant to cover all possible conditions and situations that may occur. Read entire Operating & Maintenance Instructions for this engine AND the instructions for the equipment this engine powers. Failure to follow instructions and safety information could result in serious injury or death.

The safety alert symbol () is used to identify safety information about hazards that can result in personal injury.

A signal word (DANGER, WARNING, or CAUTION) is used with the alert symbol to indicate the likelihood and the potential severity of injury. In addition, a hazard symbol may be used to represent the type of hazard.

 **DANGER** indicates a hazard which, if not avoided, will result in death or serious injury.

 **WARNING** indicates a hazard which, if not avoided, could result in death or serious injury.

 **CAUTION** indicates a hazard which, if not avoided, might result in minor or moderate injury.

**CAUTION**, when used **without** the alert symbol, indicates a situation that **could result in damage to the engine.**

## HAZARD SYMBOLS AND MEANINGS



Fire



Explosion



Moving Parts



Toxic Fumes



Hot Surface



Shock



Kickback

(OVER)

FORM MS-6445-01/03

# ENGINE SELECTION

 <b>WARNING</b>

<b>Failure to select the correct engine could result in fire or explosion.</b>

- Some engines are unique and designed for specific applications or types of equipment. If this engine will be used to build new equipment, contact Briggs & Stratton to ensure that the engine is appropriate for the intended use.  
**Note: For all Go-karts use only a model 136200 series engine, which offers improved safety and performance.**
- Replacement engines should be the same model as the original engine, or be the Briggs & Stratton designated replacement engine. Refer to the Operation & Maintenance Instructions for engine identification information.  
**Note: For all Go-karts use only a model 136200 series engine, which offers improved safety and performance.**
- Do not use Briggs & Stratton engines on 3-wheel All-Terrain Vehicles (ATVs), motor bikes, air craft products, or vehicles intended for use in competitive events. Briggs & Stratton does not approve of or authorize such uses.

# ENGINE INSTALLATION

- [1] Do not attempt to install this engine if you do not have the appropriate tools and knowledge of small engine installation procedures. Use only Briggs & Stratton parts. Contact your Authorized Service Dealer for assistance.
- [2] Do not modify the engine in any way without Briggs & Stratton factory approval. Any such modification is at the owner's sole risk.
- [3] If the exhaust system on the old engine was supplied by the equipment manufacturer, you must transfer the exhaust system and related components (original muffler and related pipes, brackets, clamps, and shields) to the new engine. All components must be in good condition.
- [4] 

 <b>WARNING</b>	Install muffler (and muffler deflector if used) so outlet points away from operator, fuel tank, and equipment, and so muffler heat will not damage or deform engine and components.
	
- [5] 

 <b>WARNING</b>	Ensure all fuel lines and fittings are properly assembled and do not leak. Replacement parts must be the same model as the original.
	
- [6] 

 <b>WARNING</b>	Ensure all wiring, including safety switches and engine shut-off components are completely installed and functioning properly.
	
- [7] Set engine speed to equipment manufacturer's specification. Refer to equipment manufacturer's manual. Do not tamper with governor springs, or other parts that will increase engine speed above specification.

- [8] 







 <b>WARNING</b>	All engine parts, including fuel cap, spark plug, muffler, air cleaner, and covers and guards for drive components (gears, belts, shafts, couplings, etc.) must be in place before attempting to start engine.
	
- [9] 

 <b>WARNING</b>	If engine is installed on walk behind lawn mower, all mower components, including cutting blade, must be correctly installed before attempting to start engine.
	
- [10] 

 <b>WARNING</b>	When working on the engine or equipment, remove spark plug wire from spark plug. For electric start, remove negative wire from battery.
	
- [11] 

 <b>WARNING</b>	Do not check for spark with spark plug removed. Use Briggs & Stratton spark tester #19368.
	

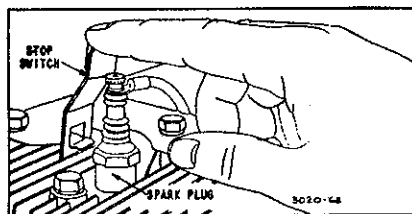
# ENGINE OPERATION

	 <b>WARNING</b>
	<b>When adding fuel:</b>
<p>Turn engine off and let engine cool at least 2 minutes before removing gas cap.</p> <p>Fill fuel tank outdoors or in well-ventilated area. Fill tank to about 1 inch below lowest portion of neck to allow for fuel expansion.</p> <p>Keep gasoline away from sparks, open flames, pilot lights, heat, and other ignition sources.</p>	
	 <b>WARNING</b>
	<b>When starting engine:</b>
<p>Remove all external equipment/engine loads.</p> <p>Wait until spilled fuel is evaporated. Start engine outdoors.</p> <p>Pull cord slowly until resistance is felt, then pull rapidly.</p> <p>If engine floods, set choke to OPEN/RUN, place throttle in FAST and crank until engine starts.</p>	
	 <b>WARNING</b>
	<b>When operating equipment:</b>
<p>Do not tip engine or equipment at angle which causes gasoline to spill.</p> <p>Run engine outdoors. Do not run in enclosed area, even if doors or windows are open.</p> <p>Do not choke carburetor to stop engine.</p>	

## SECTION II STARTING

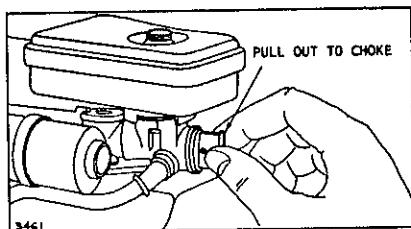
### TO START ENGINE

BE SURE STOP SWITCH IS AWAY FROM SPARK PLUG



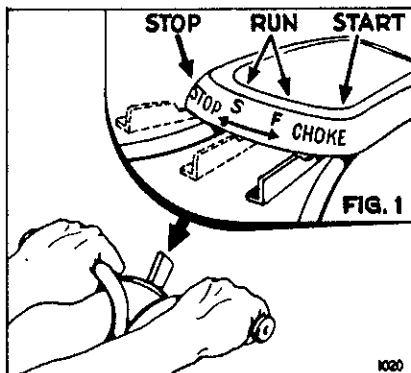
### CHOKING THE CARBURETOR

#### a. Manual Type



Completely close the carburetor choke by pulling out the choke knob.

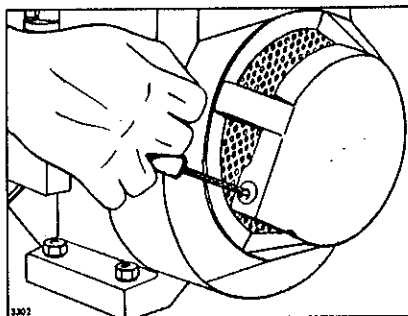
#### b. Choke-A-Matic Type



The Choke-A-Matic Carburetor permits choking, varying the engine speed, and stopping the engine by merely moving a single remote control lever to the desired position. Move lever to "Full Choke" or "Start" position.

**NOTE:** This should fully close choke on carburetor. If it does not, remote control must be re-adjusted. See "Choke-A-Matic Carburetor" Adjustments, Section IV.

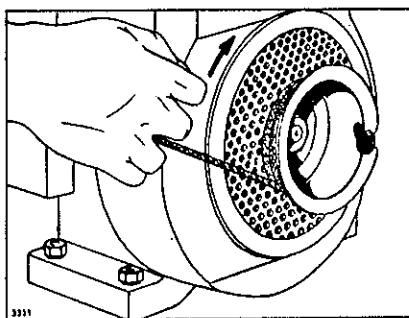
#### a. "Easy-Spin"® Rewind Starter



Grasp starter grip as illustrated and pull out cord two to three feet.

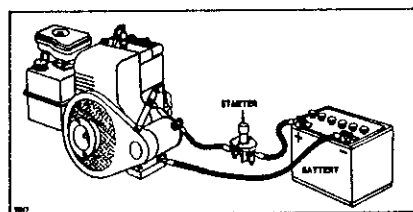
Repeat if necessary with choke opened slightly. When engine starts open choke gradually.

#### b. Rope Starter



Wind the starter rope around the pulley in direction shown by arrow. Pull the rope with a quick full arm stroke. Repeat if necessary with choke opened slightly. When engine starts open choke gradually.

#### c. 12 Volt D.C. Electric Starter



Press starter button on powered equipment. When engine starts open choke gradually.

### SPECIAL LOW TEMPERATURE STARTING PROCEDURE

A. Turn needle valve located on side of carburetor, 1/8 turn

counterclockwise from normal summer adjustment.

B. Pull choke out. Pull starter rope one or more times until engine fires at least once. A "pop" at the muffler indicates the engine is firing.

C. Push choke in slightly.

Pull starter again -- engine should start.

E. As engine begins to run, push choke in slowly.

F. If engine begins to die, give more choke.

**NOTE:** If fuel drips out of carburetor while trying to start engine, the engine is over choked. Pull starter several times with choke open (inward).

### SPECIAL WINTER RECOMMENDATIONS

A. Be sure to use the proper weight of oil for the air temperature expected.

B. Disconnect all external loads. Any V-belt drives must be removed or loosened so that the belts are standing still for satisfactory operation below freezing. Starter, motor and battery are designed to start the engine only.

C. Keep battery and engine warm if possible. If it is not possible to keep the entire unit warm, there is a big advantage in keeping the battery warm until it is required for starting. A warm battery has much more starting capacity than a cold battery.

**NOTE:** The electric starter will crank a completely unloaded engine at temperatures as low as 0° F. with SAE 10W oil. Below 0° F. rock starter pulley back and forth to disengage starter motor clutch and use the rope starter.

### STOPPING

#### a. Manual Choke

Push the stop switch against end of spark plug.

#### b. Choke-A-Matic

Move control lever to "stop" position.

## SECTION III REGULAR MAINTENANCE

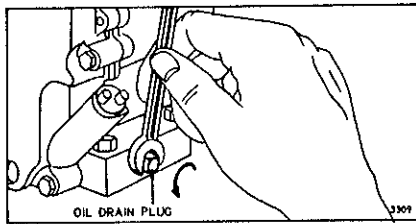
### CHECK OIL

Check oil level regularly - at least after each 5 hours of operation. (Take care to remove dirt around filler plug). **BE SURE OIL LEVEL IS MAINTAINED.**

### CHANGE OIL (CRANKCASE)

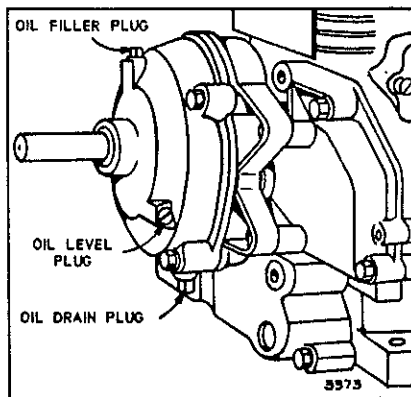
Change oil after first 5 hours of operation. Thereafter change oil every 25 hours of operation. Remove oil drain plug and drain oil while engine is warm. Replace drain plug. Remove oil filler plug and refill with new oil of proper grade. Replace filler plug.

Be sure oil level is maintained at "full" mark on dip stick or to point of overflowing on models without dip sticks.



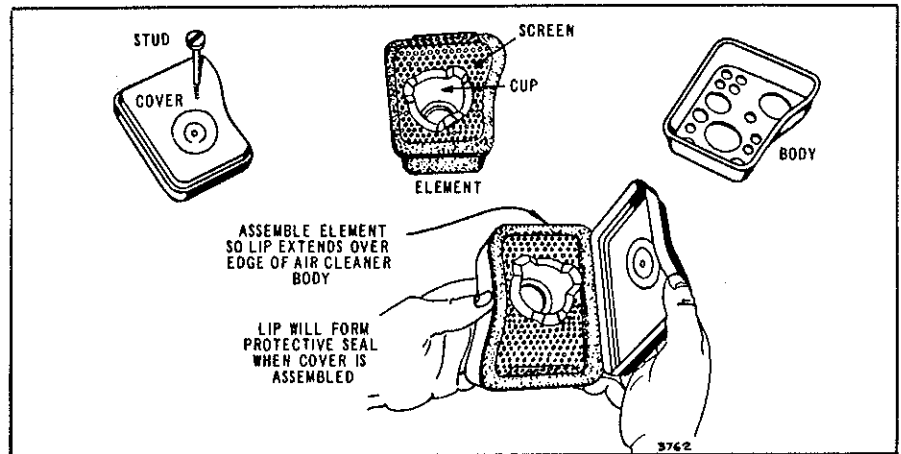
### CHECK OIL (GEAR REDUCTION)

Remove the drain plug in the bottom of gear case cover and drain oil every 100 hours of operation. Replace drain plug. To refill, remove oil check plug and oil filler plug and pour oil (same grade as used in crankcase) into filler hole until oil runs out of level check hole. Replace oil level check plug and filler plug. **CAUTION:** Filler plug has a vent hole and must be installed on top of gear case cover.



### SERVICE AIR CLEANER REGULARLY

#### "OIL-FOAM"® TYPE



Clean and re-oil air cleaner element every 25 hours under normal conditions. The capacity of the "Oil-Foam" air cleaner is adequate for a full season's use without cleaning in average homeowner lawn mower service. (Clean every few hours under extremely dusty conditions.)

2. Remove air cleaner carefully to prevent dirt from entering carburetor.
3. Take air cleaner apart.
4. A - Wash element in kerosene or petroleum solvent.  
B - Squeeze dry and re-oil with 3 tablespoons of engine oil.  
C - Squeeze again to spread oil throughout foam.  
D - Assemble parts - fasten to carburetor with screw.

1. Remove thumb screw.

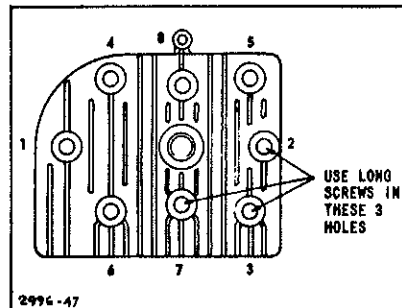
### CLEAN COMBUSTION CHAMBER EVERY 100-300 HOURS OF OPERATION

This industrial engine generally operates at constant speed and at relatively constant load. The use of regular automotive fuels under these conditions results in a gradual build-up of tetra-ethyl lead deposits in the combustion chamber.

This causes the engine to lose power and prevents the valves from seating properly. Removing the deposits is easy and will pay big dividends in reliability and increased valve life.

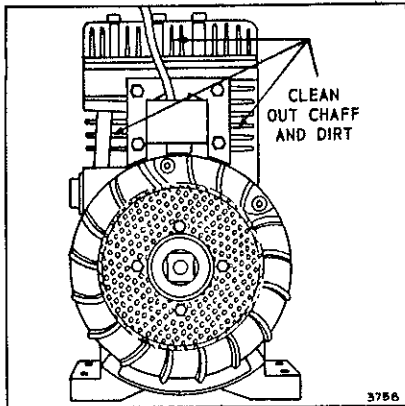
1. Remove cylinder head screws. Be sure to note if screws are of different length and have steel washers as they must be replaced in original position.
2. Turn crankshaft until piston is at top of cylinder bore and both valves are closed. Scrape and wire brush the lead and carbon deposits from cylinder head and combustion chamber.
3. Re-use cylinder head gasket, only if in good condition. Replace cylinder head. Turn each screw in with wrench until screw head is lightly seated.

4. Use socket wrench with 6 inch handle and turn all screws  $\frac{1}{4}$  turn. Tighten screws in sequence illustrated. Run engine approximately 5 minutes and retighten all screws approximately  $\frac{1}{4}$  turn.



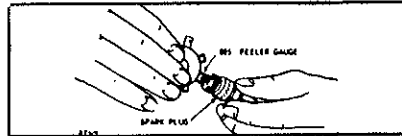
## SECTION III REGULAR MAINTENANCE (Cont'd.)

### CLEAN COOLING SYSTEM



Grass or chaff may clog cooling system after prolonged service in cutting tall dry grasses or hay. Continued operation with a clogged cooling system causes severe overheating and possible engine damage. Remove blower housing and clean regularly.

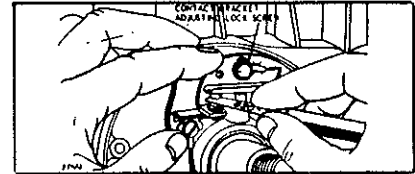
### SPARK PLUG



Clean and reset gap at .025" every 100 hours of operation.

**CAUTION:** Blast cleaning of spark plug in machine using abrasive grit is not recommended.

### BREAKER POINTS



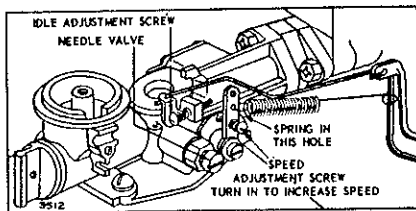
Breaker Point Gap, .020". Access to points requires removal of blower housing and flywheel. **NOTE:** Crankshafts have **RIGHT HAND THREAD.**

## SECTION IV ADJUSTMENTS

### CARBURETOR ADJUSTMENTS

#### INITIAL ADJUSTMENT

Turn needle valve clockwise to close it; then turn counter-clockwise 1½ turns. This initial adjustment will permit the engine to be started and warmed up before making final adjustment.



#### FINAL ADJUSTMENT

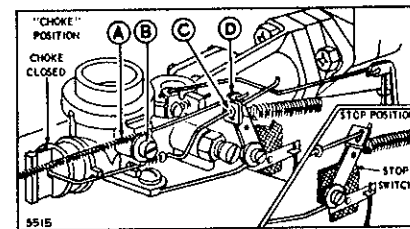
With engine running at normal operating speed (approximately 3000 R.P.M. without load) turn needle valve clockwise until engine starts to lose speed (lean mixture). Then slowly turn needle valve counter-clockwise past the point of smoothest operation, until engine just begins to run unevenly. This mixture will give best performance under load.

Hold throttle in idling position. Turn idle speed adjusting screw until fast idle is obtained (1750 R.P.M.).

Test the engine under full load. If engine tends to stall or die out, it usually indicates that the mixture is slightly lean and it may be necessary to open the needle valve slightly to provide a richer mixture. This richer mixture may cause a slight unevenness in idling.

### CHOKE-A-MATIC CARBURETOR

Proper choke and stop switch operation is dependent upon proper adjustment of remote controls on the powered equipment.



#### TO ADJUST

Place remote control lever on equipment in **FAST** (high speed) position. Loosen control casing clamp screw (B) on carburetor. Move control casing (A) and wire forward or backward until speed lever (D) just touches the choke operating link at (C). Tighten casing clamp screw (B) on carburetor.

Recheck operation of controls after adjustment. Replace air cleaner.

#### TO CHECK OPERATION

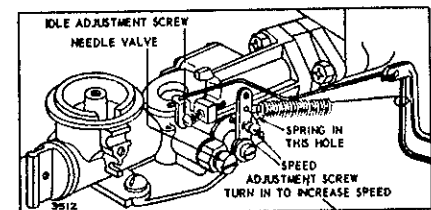
Remove Air Cleaner. Move remote control lever to **CHOKE** position. The carburetor choke should then be closed. Move the remote control lever to **STOP**. Speed lever on carburetor should then make good contact with stop switch to short out

### GOVERNOR ADJUSTMENTS

There are two different types of governors used on these engines — air vane and mechanical. The rec-

ommended operating speed is 2200 to 3600 R.P.M. The standard speed setting (no load) is 3600 R.P.M. Idle speed is 1750 R.P.M.

### AIR VANE GOVERNOR ADJUSTMENTS

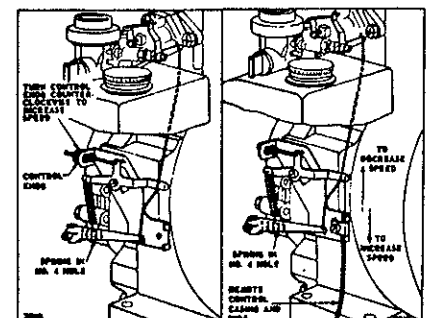


### FIXED SPEED GOVERNOR CONTROL

To increase engine speed, turn speed adjusting screw clockwise. To decrease engine speed, turn speed adjusting screw counter-clockwise.

### MECHANICAL GOVERNOR ADJUSTMENTS

Standard Speed Control — Speed adjusting thumb nut is located on the power take-off side of engine. To increase speed turn adjusting nut counterclockwise.



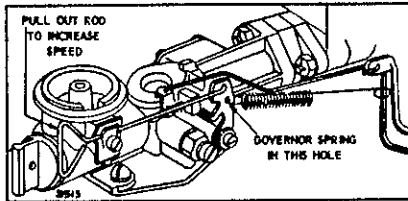
**SECTION IV ADJUSTMENTS (Cont'd.)**

**REMOTE GOVERNOR CONTROL**

The mechanical governor remote control is adjusted in the same manner as the air vane governor remote control.

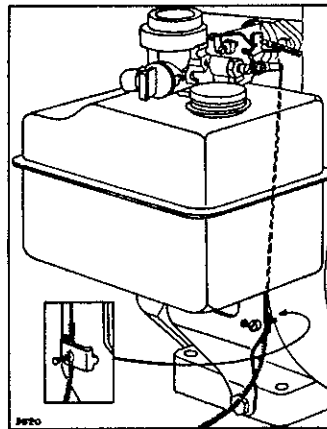
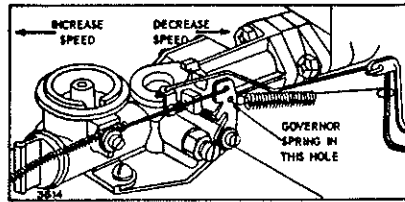
**MANUAL FRICTION TYPE CONTROL**

Move lever as shown below to change engine speed.



**REMOTE GOVERNOR CONTROLS**

To increase speed move governor control lever to "Fast" position.



**GOVERNOR SENSITIVITY ADJUSTMENTS**

Governor spring is installed in No. 4 hole of governor arm for normal operation at speeds of 3500 to 3800 R.P.M. For operation at other speeds, spring should be moved as follows:

3000 to 3400 R.P.M.	No. 3 hole
2500 to 2900 R.P.M.	No. 2 hole
1800 to 2400 R.P.M.	No. 1 hole

**TUNE-UP SPECIFICATIONS**

Spark Plug Type	AC GC 46;
	AL-A71; Champ. J8
Spark Plug Gap	.025"
Ignition Point Gap	.020"
Valve Clearance	
Intake	.005"-.007"
Exhaust	.009"-.011"

**SECTION V  
GENERAL INFORMATION**

These engines are single-cylinder, L-head, air-cooled type.

**MODEL SERIES 140200, 141200**

Bore	2 3/4"
Stroke	2 3/8"
Displacement	14.1 cu. in.
Horsepower	5.0 HP max. at 3600 RPM
Torque (Ft. Lbs.)	7.84 max. at 2700 RPM

The horsepower ratings listed above are established by standard I.C.E.I. procedures. For practical operation, the horsepower loading should not exceed 85% of these ratings. Engine power will decrease 3 1/2% for each 1,000 ft. above sea level and 1% for each 10° above 60° F.

**STORAGE INSTRUCTIONS**

Engines to be stored over 30 days should be completely drained of fuel to prevent gum deposits forming on essential carburetor parts, fuel filter, fuel lines and tank.

- All fuel should be removed from fuel tank. Run the engine until it stops from lack of fuel. The small amount of fuel that remains in the sump of the tank should then be removed by absorbing it with a clean dry cloth.
- While engine is still warm, drain oil from crankcase. Refill with fresh oil.
- Remove spark plug, pour 1 ounce of SAE-30 oil into cylinder and crank slowly to distribute oil. Replace spark plug.
- Clean dirt and chaff from cylinder, cylinder head fins and blower housing.

Briggs & Stratton's policy of continual product improvement is evidenced by the many patents issued to the corporation covering engine improvements, some of which are listed below.

2,431,329	2,510,825	2,564,787	2,693,789	2,717,916	2,954,506	3,040,853
2,438,585	2,529,242	2,573,116	2,693,791	2,781,280	2,999,489	3,044,238
2,459,428	2,529,243	2,605,753	2,696,577	2,796,453	2,999,491	3,044,239
2,491,070	2,529,244	2,649,488	2,699,636	2,796,454	2,999,562	3,114,851
2,496,688	2,548,334	2,669,322	2,717,589	2,908,263	3,028,848	3,118,433

**DESIGN PATENTS**

173,072

191,806

**SECTION VI  
WARRANTY**

**SAVE THIS INFORMATION FOR YOUR OWN RECORD**

**BRIGGS & STRATTON ENGINE WARRANTY**

For ONE YEAR from purchase date, Briggs & Stratton Corp. will replace for the original purchaser, FREE OF CHARGE, any part, or parts, found upon examination by any Factory Authorized Service Outlet, or by the Factory at Milwaukee, Wisconsin, to be DEFECTIVE IN MATERIAL AND/OR WORKMANSHIP.

All transportation charges on parts submitted for replacement under this Warranty must be borne by purchaser.

*There is no other Warranty express or implied. Briggs & Stratton Corp. shall in no event be liable for consequential damages.*

**BRIGGS & STRATTON CORP.**

  
C. L. COUGHLIN - PRESIDENT

**NOTE:** The Briggs & Stratton Engine Warranty does not cover breakage of parts or damage to parts due to abuse or failure to follow recommended regular maintenance of crankcase oil level, cleaning of air cleaner and engine cooling fins, nor does it warrant any accessories, controls or equipment not of our manufacture.

Engine Model No. \_\_\_\_\_  
Engine Type No. \_\_\_\_\_  
Engine Code No. \_\_\_\_\_  
Date Purchased \_\_\_\_\_  
Dealer Purchased from \_\_\_\_\_  
Type of Equipment \_\_\_\_\_  
Name or Trademark of Equipment Manufacturer \_\_\_\_\_

See Illustration on Page 1 to locate Model, Type and Code Number.

**NO REGISTRATION (WARRANTY) CARD IS NECESSARY IN ORDER TO OBTAIN WARRANTY ON BRIGGS & STRATTON ENGINES**

In case warranty service is ever needed you should present the above information to the nearest Authorized Service Dealer. You will need to give a complete report on the trouble experienced and the number of hours the engine has run since the equipment was purchased.

If you differ with the decision of a Service Dealer on a warranty claim, the Dealer's terms should be accepted. The Dealer will submit all supporting facts to the factory for review. If the factory's decision is that your claim is justified, you will be fully reimbursed for those items accepted as defective.

For replacement parts or service, only the Model, Type and Code numbers are needed by the Authorized Service Dealer.

**NATION WIDE SERVICE ORGANIZATION**

Briggs & Stratton maintains a vast network of Authorized Service Dealers that are prepared to give you prompt and efficient engine service.

Each member of this organization carries a stock of original Briggs & Stratton repair parts and is equipped with special service tools. Trained mechanics assure expert repair service on all Briggs & Stratton engines.

See yellow pages of your Classified Telephone Directory for nearby engine service under heading -- "Engines Gasoline" or "Gasoline Engines".

